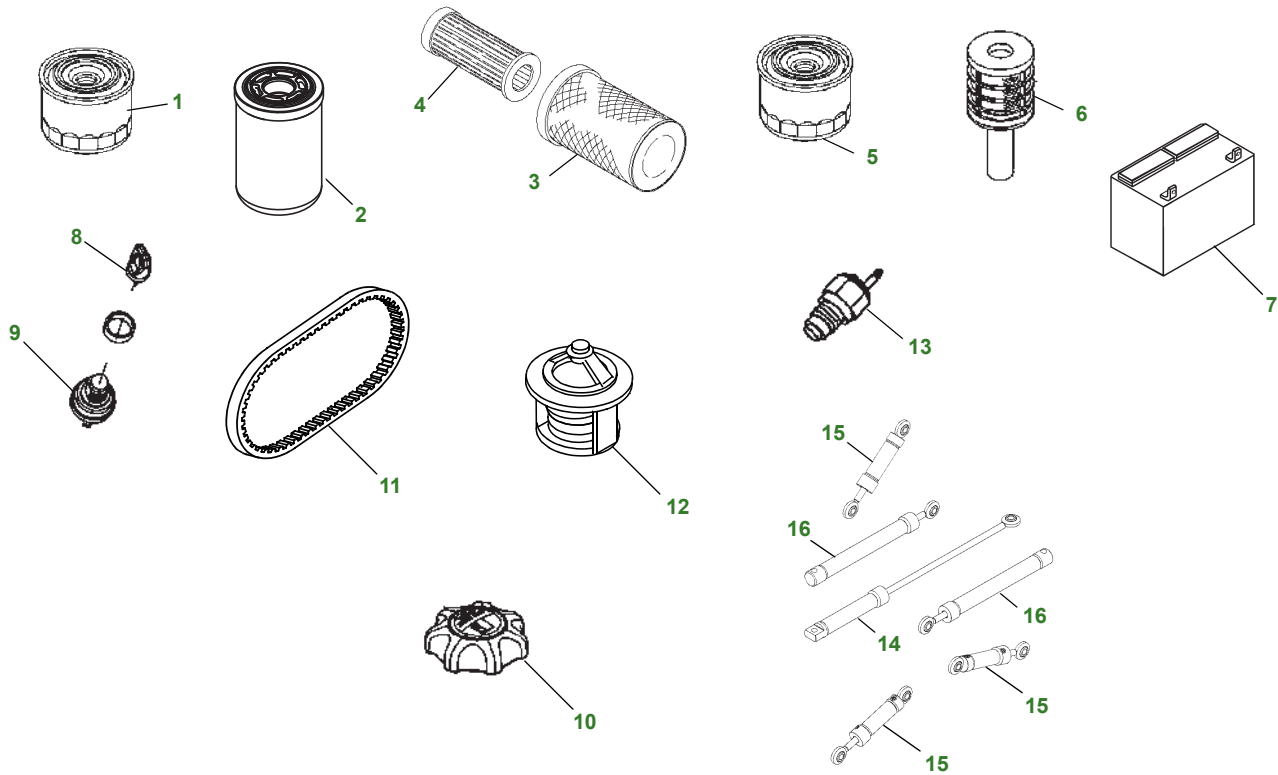


# 7400A TerrainCut™ Trim and Surrounds Mower

Rough Intermediates and Surrounds



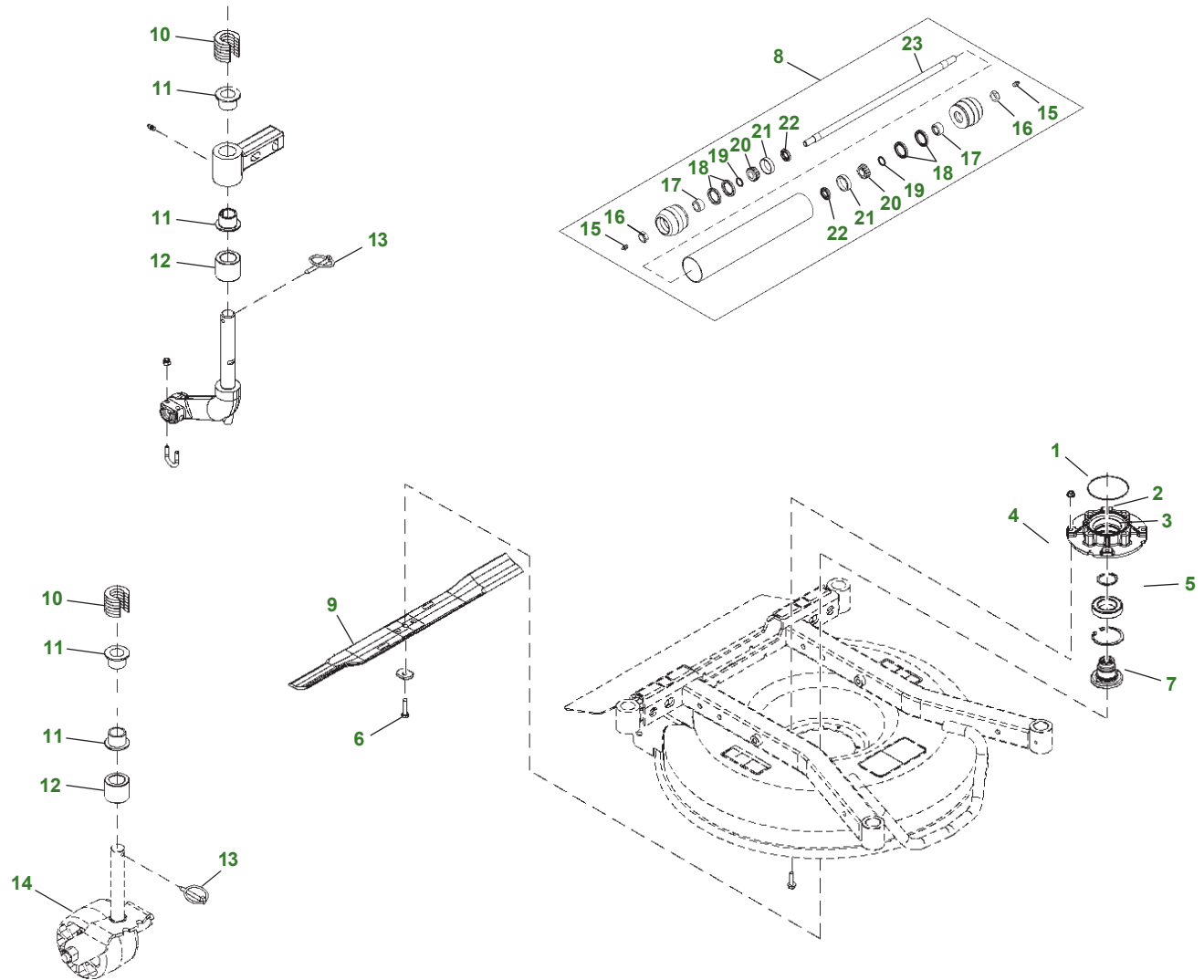
Key	Part No.	Description	Key	Part No.	Description
1	M806419	.....ENGINE OIL FILTER	11	TCU38089	.....BELT - FAN - NON TIER 4
2	LVU14258	.....HYDRAULIC OIL FILTER		TCU30780	.....BELT - FAN - TIER 4
3	RE68048	.....AIR FILTER - PRIMARY		LVU11662	.....BELT - WATER PUMP
4	RE68049	.....AIR FILTER - SECONDARY	12	M811034	.....THERMOSTAT
5	MIU803127	.....FUEL FILTER - TIER 4	13	CH15516	.....WATER TEMP SWITCH - NON TIER 4
	MIU800645	.....FUEL FILTER - NON TIER 4		MIU801119	.....WATER TEMP SENSOR- TIER 4
6	M811032	.....FUEL SEPARATOR - NON TIER 4	14	TCA17806	.....HYDRAULIC CYLINDER - WIDTH OF CUT
	MIU802421	.....FUEL SEPARATOR - TIER 4	15	TCA24128	.....HYDRAULIC CYLINDER - LIFT
7	TY25876	.....BATTERY	16	TCA17627	.....HYDRAULIC CYLINDER - IMPLEMENT SHIFT
8	AUC12681	.....KEY			
9	TCA22740	.....SWITCH (S/N -040000)			
	AUC15805	.....SWITCH (S/N 040001-)			
10	TCA24601	.....FILLER CAP			

## Parts Needed in First 250 hours of Operation

Qty	Part No.	Item	Capacity	Interval In Hours
2	M806419	Engine Oil Filter		250
6	TY26674	Plus-50™ II 15W-40 Engine Oil	5.3 L (5.6 qt)	250
1	LVU14258	Hydraulic Oil Filter		50
3	TY25083	John Deere Special Purpose Golf & Turf Cutting Unit Grease (Cutting Unit and Cutting Unit Attachments)		As Needed
3	TY6341	John Deere Multi-Purpose SD Polyurea Grease (Machine components, lift arms and rollers)		As Needed

\*Refer to Operators Manual for service intervals if using BioDiesel Fuel and Bio Hy-Gard.

# 7400A TerrainCut™ Rotary Deck



Rough Intermediates and Surrounds

Key	Part No.	Description	Key	Part No.	Description
1	H142234.....	O-RING	10	TCU23569.....	WASHER (S/N -030000)
2	M42702.....	SNAP RING	11	M83541.....	BUSHING (S/N -030000)
3	TCU27862.....	NUT	12	TCU24952.....	SPACER (S/N -030000)
4	14M7298.....	FLANGE NUT	13	M115827.....	QUICK LOCK PIN (S/N -030000)
5	UC15071.....	BEARING HOUSING WITH BEARING	14	TCA19047.....	CASTER (S/N -030000)
6	TCU28104.....	BOLT - BLADE	15	JD7759.....	LUBRICATION FITTING
7	AUC11610.....	ADAPTER	16	N101345.....	LOCK NUT
8	TCA17790.....	ROLLER - 76 mm (3 in.) SMOOTH (S/N -030000)	17	ET15726.....	SLEEVE
	TCA25970.....	ROLLER - 76 mm (3 in.) SMOOTH (S/N 030001-)	18	ET15755.....	SEAL
9	TCU27401.....	MOWER BLADE - HIGH LIFT	19	U46731.....	O-RING
	TCU27876.....	MULCH MOWER BLADE	20	JD8188.....	BEARING CONE
	TCU38740.....	MOWER BLADE - LOW LIFT (S/N 030001 -)	21	JD8226.....	BEARING CUP
	UC12014.....	MOWER BLADE - LOW LIFT MULCH (S/N 030001 -)	22	MT739.....	SEAL
			23	TCU23559.....	SHAFT (S/N -030000)
				TCU39718.....	SHAFT (S/N 030001-)